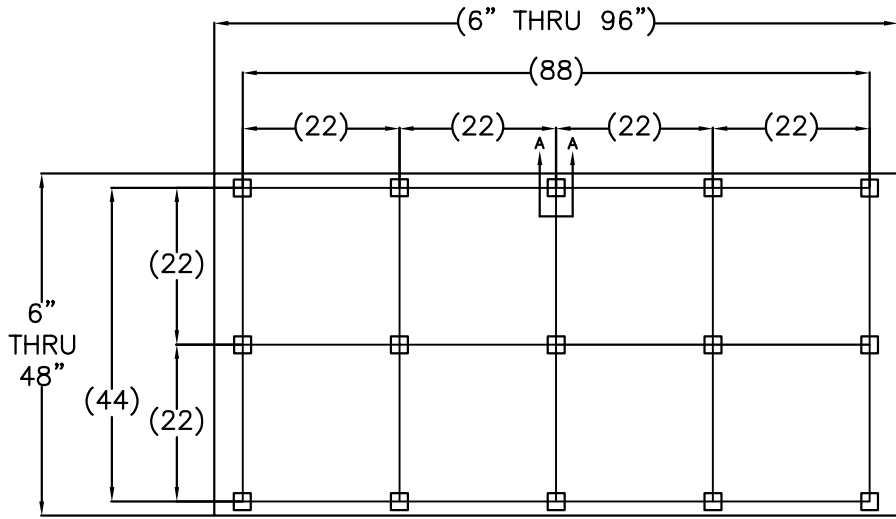
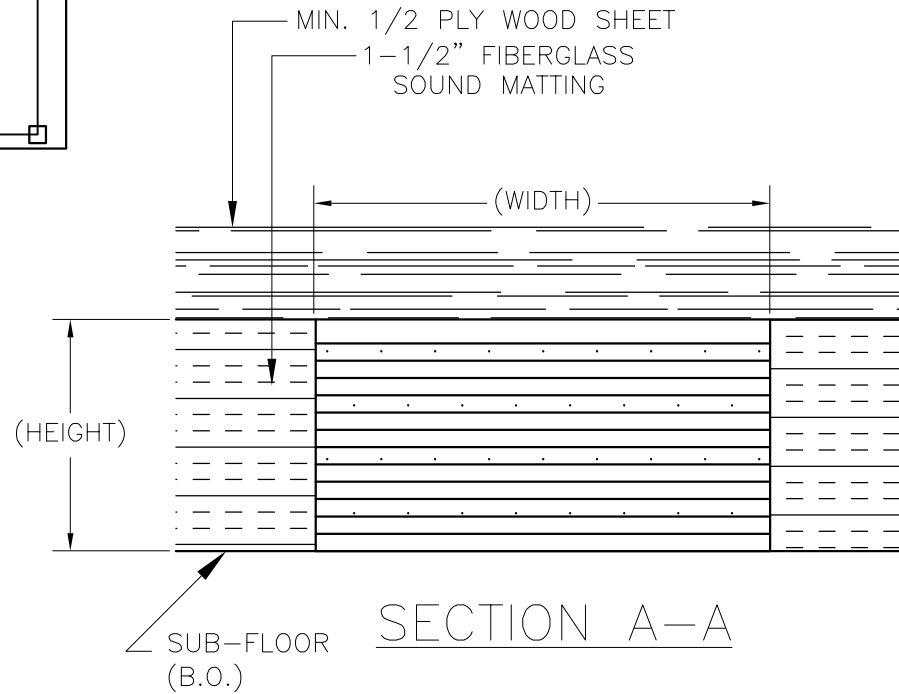


REV.	DESCRIPTION	DATE	BY



4 x 8 PANEL LAYOUT SHOWN

MODEL NUMBER	RATED LOAD (LBS.)	HEIGHT (IN.)	LENGTH (IN.)	WIDTH (IN.)	APP. WT. (LBS.)	COLOR CODE
QFFG 222-400	400	2.0	2.0	2.0	0.12	BLACK



NOTE:

1. 4' X 8' IS STANDARD PANEL SIZE.
2. PANEL SIZE VARIES BASED ON CUSTOMERS REQUIREMENTS.
3. DIMENSIONS MAY VARY ON CUSTOMERS REQUIREMENTS.
4. ALL DIMENSIONS IN INCHES. INTERPRET PER ANSI Y14.

**(B.O.)= BY OTHER, NOT VMC**

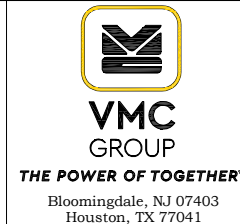
OTHER MATERIALS, COMPOUNDS, OR FINISHES WITH EQUAL OR SUPERIOR PROPERTIES MAY BE SUBSTITUTED AS THEY BECOME AVAILABLE.



**CERTIFIED FOR: CERT**

JOB NAME: \_\_\_\_\_  
 CUSTOMER: \_\_\_\_\_  
 CUSTOMER P.O.: \_\_\_\_\_  
 SALES ORDER: \_\_\_\_\_

**MODEL QFFG 400-900 LBS.  
 ISOLATED FLOATING FLOOR WITH  
 FIBERGLASS BLOCK**



SCALE: NONE  
 SHEET: 1 OF 2



DRAWING NO.: \_\_\_\_\_ REVISION: \_\_\_\_\_

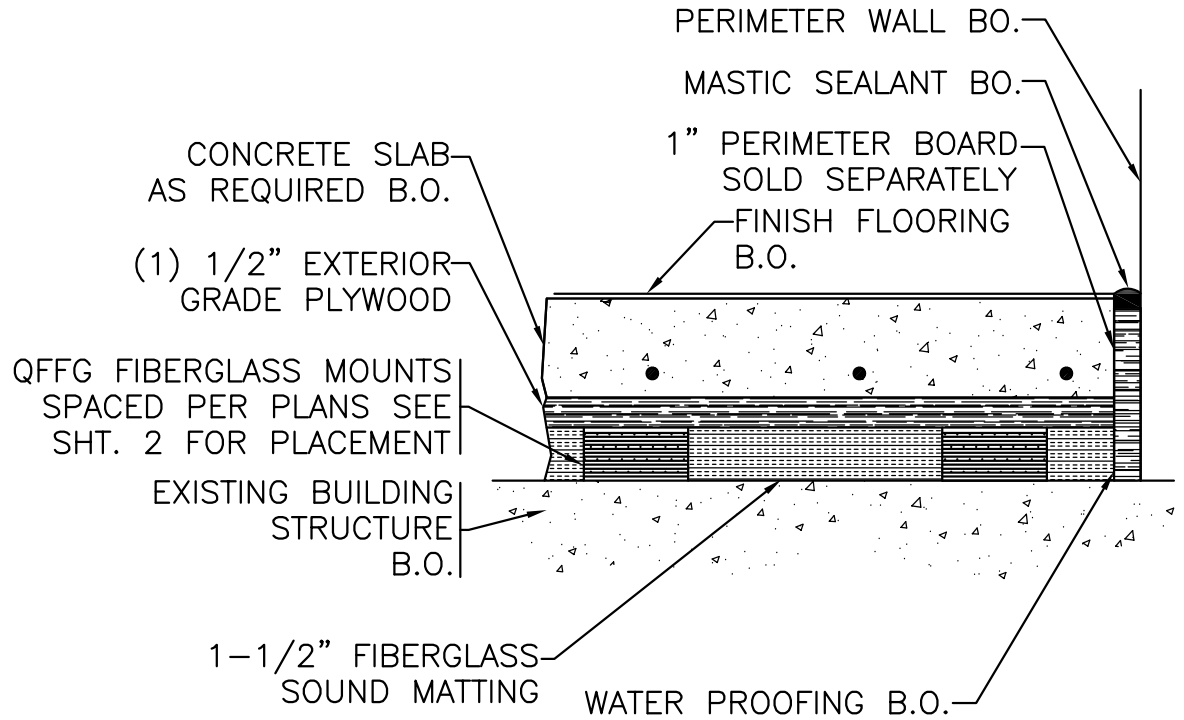
REV.	DESCRIPTION	DATE	BY

**INSTRUCTIONS:**

1. SUB FLOOR TO BE LEVEL, SMOOTH & CLEAR OF CLEAR DEBRIS(B.O.)
2. INSTALL PERIMETER ISOLATION AROUND THE AREA THE PANEL WILL BE PLACED (B.O.)
3. PLACE QFFN PANEL SNUGLY AGAINST EACH OTHER PER LAYOUT.
4. INSTALL WATER PROOFING AND OVERLAP 1' (B.O.)
5. INSTALL REBAR IF NEEDED AS PART OF PROJECT REQUIREMENT.(B.O)
6. POUR CONCRETE ON TO ALL PANELS. (B.O)
7. INSTALL MASTIC SEAL ON TOP OF THE PERIMETER BOARDS.(B.O)
8. FINISHED: UNLESS FINISH FLOOR IS REQUIRED.
9. SLAB DESIGN & CONSTRUCTION IS BY OTHERS NOT VMC

**NOTE:**

B.O. = BY OTHERS NOT BY VMC



QFFG FLOATING FLOOR INSTALLATION DETAILS

OTHER MATERIALS, COMPOUNDS, OR FINISHES WITH EQUAL OR SUPERIOR PROPERTIES MAY BE SUBSTITUTED AS THEY BECOME AVAILABLE.



**CERTIFIED FOR: CERT**

JOB NAME: \_\_\_\_\_  
 CUSTOMER : \_\_\_\_\_  
 CUSTOMER P.O.: \_\_\_\_\_  
 SALES ORDER: \_\_\_\_\_

**MODEL QFFG 400-900 LBS.  
 ISOLATED FLOATING FLOOR WITH  
 FIBERGLASS BLOCK**



**VMC GROUP**  
 THE POWER OF TOGETHER™  
 Bloomingdale, NJ 07403  
 Houston, TX 77041

SCALE:

NONE

SHEET:

2 OF 2



DRAWING NO.:

REVISION